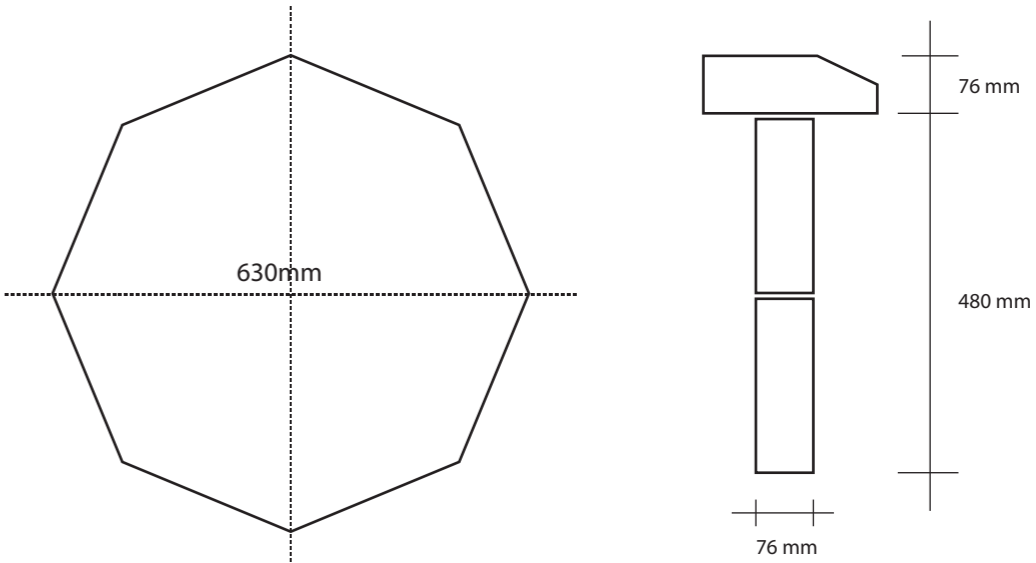


**JOINT FINISH**  
 X = Recessed 8mm  
 Y = Flush  
 Z = Rolled ironed

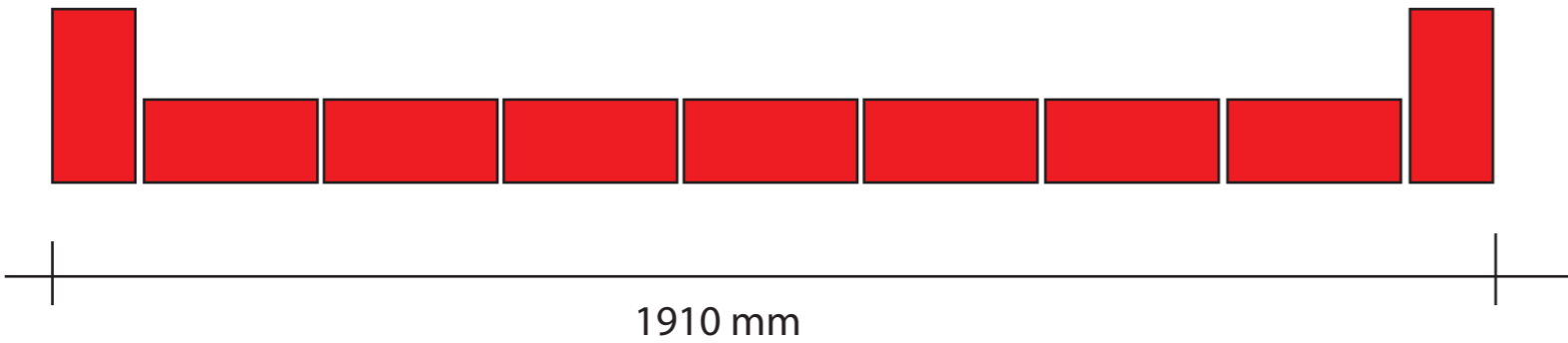


Sickle set out

Hammer set out

NOTE: The joint surrounding the Hammer, Sickle and year feature is raked.

NOTE:  
 Standard size 230X110X76 bricks to be used for the hammer and sickle



<b>2018 National Worldskills Competition</b>	
Skill: BRICKLAYING	
Eric Armstrong feature wall PLAN: PROJECT_2_NAT_18	Scale: 1:10
Plan 2 of 3	Drawn by : Eric Parletta